

DC NETWORK ANALYZER - AR3DC

Instrument with microprocessor, programmable, LCD display, designed for measuring variables in a network of low voltage DC.

GENERAL FEATURES

- **DIN MODULAR INSTRUMENT**
- **DIRECT CURRENT**
- **RS 485 SERIAL PORT**
- **VALUE ALTERNATIVE MEASURE EVERY 2 S.**
- **1 OPTOCOUPLER OUTPUT**



ELECTRICAL PARAMETER	SYMBOL	TOTAL
Voltage	V	•
Current	A	•
Active power (P)	kW	•
Consumed active energy (EP+)	kWh	•
Generated active energy (EP-)	kWh	•
Ampere Hour (+)	Ah+	•
Ampere Hour (-)	Ah-	•
Shunt rated current	Ip	•

SETTING

- Instrument identify code.
- Primary current.
- Contacts operating mode.
- Energy pulse value.

The equipment is set through the serial port.

LCD DISPLAY

- LCD display (4 digits + Sign).
- Height of digits: 8 mm.
- Up to 8 measuring parameters.

SERIAL PORT

- Type: RS 485.
- Protocol: MODBUS RTU.
- Connection: 2 wire.
- Baud rate: Standar 9600 Bauds.
- Max N° of instruments per line: 32.

TECHNICAL SPECIFICATIONS

INPUT	
Rated Voltage (Un)	12, 24, or 48 V DC.
Burden	< 1 W
Operating range	80-120 % Un
Rated current (In)	
Direct connection	10, 20, or 40 A D.C
Connection to external shunt	50-1000 A/60mV DC
Operating range	1- 120 % In

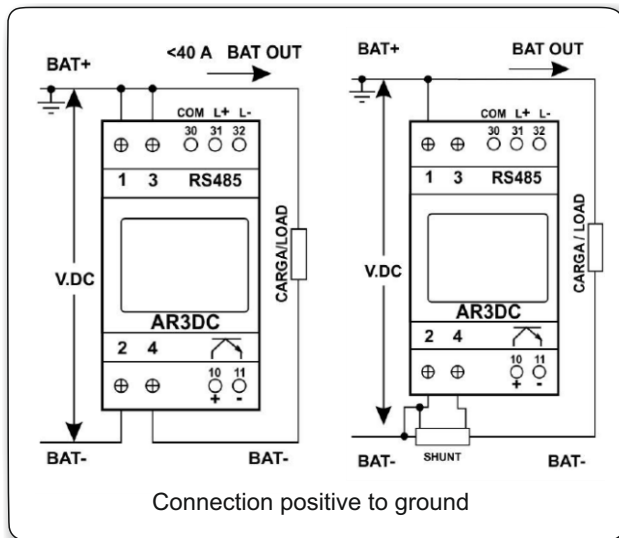
* Optional 125 V D.C.

CONTACTS OUTPUT *	
Number of outputs	1
Optocoupler	< 48 V DC.(24 V DC. 1 kΩ)

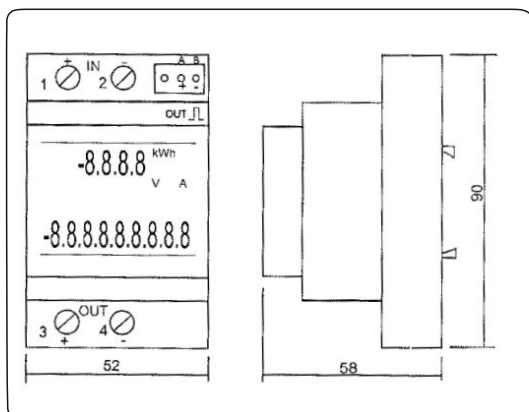
* Contact output can be set as max. or min. alarm contacts associated to any measured parameter, or as energy. They can also be set as contacts managed from the central unit.

AUXILIARY VOLTAGE	
Aux. V. D.C.	Self supplied

CONNECTIONS



DIMENSIONS



GENERAL

GENERAL FEATURES	
Mounting	DIN rail
Case material	ABS,UL94 V0
Dimensions	3 modules 52 x 90 mm
Terminals	With screws
Max. wire section	16 mm ²
Weight	0,15 Kg
Temperature range	0 - 40 °C
Protection	IP 20 terminals
Optional protection	IP 54 frontal
Electrical safety	(EN 61010) Class 2 Category III

ACCESSORIES

- Shunt x/60 mV.
- RS232/RS485 converters.
- RS 485 amplifiers.

OPTIONAL

- Reading software (without additional cost).
- Management software SACIgest.
- Connection negative to ground.

OVERLOAD

- 2 Vn x 10 s.
- 1,2 Vn permanent.
- 20 In x 1 s.
- 2 In permanent.

ACCURACY

Parameter	Operating range	Accuracy
Voltage	80-120%	0,5%(read. + full sca.)
Current	1-120%	0,5%(read. + full sca.)
Active power	1-120%	0,5%(read. + full sca.)
Active energy	1-120%	1%(read. + full sca.)
Reactive energy	1-120%	1%(read. + full sca.)
Ampere hour (+)	1-120%	1%(read. + full sca.)
Ampere hour (-)	1-120%	1%(read. + full sca.)